

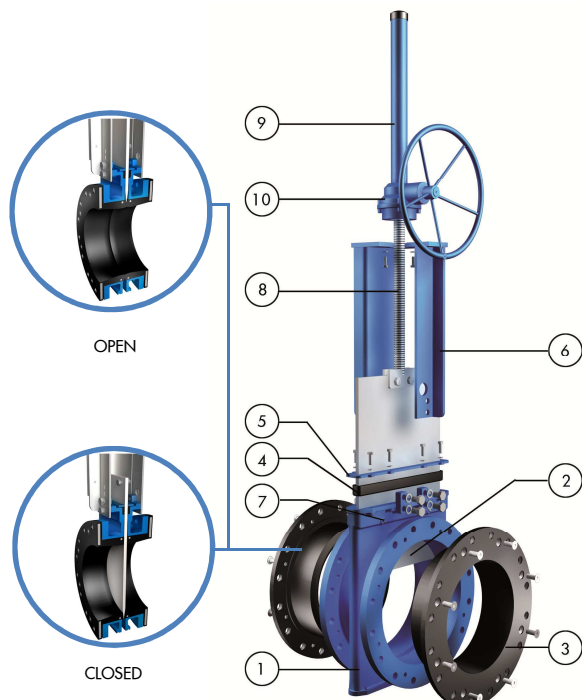
The WG model knife gate valve is a full flanged heavy duty valve equipped with two metal reinforced rubber sleeves designed for use in the handling of abrasive slurries, mainly in industries such as Mining, Chemical Plants, Power Plants, Wastewater Treatment Plants, etc.

### Product description:

- Bi-directional full flanged heavy duty knife gate valve
- Size range of DN80-900 (larger sizes available). See Dimension Charts for pressure rating
- Rising stem
- Standard flange connection: DIN PN10 (EN 1092-2) and ANSI B16.5 (class 150)  
Others available upon request
- Manual (handwheel and bevel gear), pneumatic (single and double-acting), electric and hydraulic actuation options available
- Directives: 2006/42/EC (MACHINES), 2014/68/EU (PED) Fluid: Group 1(b), 2 (Cat. I. mod. A) and 2014/34/EU (ATEX)

### Features:

- Full flange cast monoblock body with two machined lateral mouths where the sleeves fit perfectly and grease nipples to lubricate the gate
- Open at the bottom for draining purposes, also available with covers or splash guards
- Rectangular shaped stainless steel gate, polished both sides to reduce friction and avoid seat damage
- Metal reinforced rubber sleeve seats, designed to allow maximum flexibility and minimum effort during gate travel
- EPDM packing as standard. Conventional leak proof packing also available
- RAL-5015 blue epoxy-coating on all cast iron/carbon steel components
- Automated valves provided with gate guards in accordance with EU Safety Standards
- Other options: open-closed lockout system, flush ports, special materials, fabricated valves, gate coatings, etc.
- Actuation accessories: limit & proximity switches, mechanical stops, solenoid valves, manual overrides, fail safe systems, stem extensions and floor stands



### STANDARD PARTS LIST

Part	Materials
1 Body	Ductile iron A536 (60-40-18) / 0.7040 / GJS 400
2 Gate	AISI 304 (1.4301) / AISI 316 (1.4401)
3 Sleeves	Natural rubber/ EPDM
4 Packing	EPDM
5 Gland Follower	A570 GR.40 / 1.0044 Epoxy coated
6 Yoke	A570 GR.40 / 1.0044 Epoxy coated
7 Grease Nipple	Zinc coated carbon-steel
8 Stem	Stainless Steel
9 Stem Protector	A570 GR.40 / 1.0044 Epoxy coated
10 Bevel Gear	-

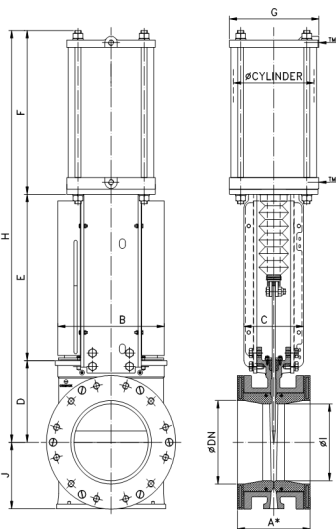
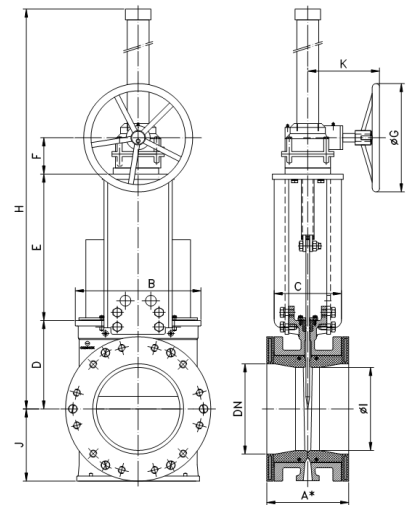
### DIMENSIONS (mm) Hand Operated Rising Stem

DN	Pressure	Gear	A1*	A2*	B	C	D	E	F	ØG	H	J	K	ØI
80	10 bar	-	175	183	179	100	124	177	47	225	495	96	-	70
100	10 bar	-	175	183	171	107	140	193	67	310	645	115	-	85
150	10 bar	-	178	186	238	107	175	259	67	310	745	141	-	135
200	10 bar	FLO.4	184	192	295	165	205	315	109	300	1040	173	200	180
250	10 bar	FLO.4	225,5	233	346	185	245	389	84	300	1060	204	200	230
300	10 bar	FLO.4	257	264	395	250	280	446	84	300	1460	244	200	280
350	10 bar	FLO.4	257	264	450	250	325	501	84	450	1530	268	220	330
400	10 bar	FLO.4	279,5	287	511	270	350	558	84	450	1640	300	220	380
450	6-10 bar <sup>(1)</sup>	FL1.6	311	319	564	290	420	625	84	450	1750	320	220	400
500	6-10 bar <sup>(1)</sup>	FL1.6	359	367	623	290	462	686	102	650	1930	359	288	450
600	6-10 bar <sup>(1)</sup>	FL1.6	371,5	380	730	290	510	780	102	650	2425	422	288	550
750	5-10 bar <sup>(1)</sup>	FL1.6	395,5	405	911	290	600	985	102	650	2730	532	288	680
900	5-10 bar <sup>(1)</sup>	FL1.6	470	480	1084	290	700	1165	102	650	3010	633	288	810

A1\*: installed face to face

A2\*: minimum required dimension for installation

<sup>(1)</sup> Duplex gate for 10 bar



### DIMENSIONS (mm) Pneumatic Actuator (D/A)

DN	Pressure	A1*	A2*	B	C	D	E	F	G	H	J	ØI	Standard Cyl.	TM
80	10 bar	175	183	179	100	124	257	240	140	621	96	70	C125/110	1/4"
100	10 bar	175	183	171	107	140	270	258	140	668	115	85	C125/130	1/4"
150	10 bar	178	186	238	107	175	395	323	175	893	141	135	C160/185	1/4"
200	10 bar	184	192	291	165	205	464	398	220	1067	173	180	C200/240	3/8"
250	10 bar	225,5	233	346	185	245	505	470	277	1220	204	230	C250/290	3/8"
300	10 bar	257	264	398	250	280	650	538	335	1474	244	280	C300/345	1/2"
350	10 bar	257	264	450	290	325	712	650	444	1687	268	330	C350/395	3/4"
400	10 bar	279,5	287	511	290	350	769	705	444	1824	300	380	C350/450	3/4"
450	6-10 bar <sup>(1)</sup>	311	319	564	290	420	838	767	515	2025	320	400	C400/500	3/4"
500	6-10 bar <sup>(1)</sup>	359	367	623	290	462	897	839	515	2198	359	450	C400/560	3/4"
600	6-10 bar <sup>(1)</sup>	371,5	380	730	290	510	990	921	515	2420	422	550	C400/655	3/4"

A1\*: installed face to face

A2\*: minimum required dimension for installation

<sup>(1)</sup> Duplex gate for 10 bar

### DIMENSIONS (mm) Electric Actuator Rising Stem

DN	Pressure	A1*	A2*	B	C	D	E	F	ØG	H	K	J	L	M	N	ØI	Torque (Nm)
80	10 bar	175	183	179	100	124	185	143	160	662	265	249	62	238	96	70	30
100	10 bar	175	183	171	107	140	195	143	160	688	265	249	62	238	115	85	35
150	10 bar	178	186	238	107	175	260	143	160	1158	265	249	62	238	141	135	50
200	10 bar	184	192	291	165	205	330	155	200	1272	283	254	65	248	173	180	70
250	10 bar	225,5	233	346	185	245	405	155	200	1387	283	254	65	248	204	230	110
300	10 bar	257	264	398	250	280	462	155	200	1454	283	254	65	248	244	280	120
350	10 bar	257	264	450	290	325	520	158	315	1602	389	336	90	286	268	330	160
400	10 bar	279,5	287	511	290	350	580	158	315	1690	389	336	90	286	300	380	240
450	6-10 bar <sup>(1)</sup>	311	319	564	290	420	645	158	409	1822	389	336	90	286	320	400	200
500	6-10 bar <sup>(1)</sup>	359	367	623	290	462	705	158	400	1925	389	339	90	286	359	450	300
600	6-10 bar <sup>(1)</sup>	371,5	380	730	290	510	804	158	500	2120	430	365	115	303	422	550	400
750	5-10 bar <sup>(1)</sup>	395,5	405	911	290	600	967	190	500	2880	430	365	115	303	532	680	550
900	5-10 bar <sup>(1)</sup>	470	480	1084	290	700	1170	190	500	3180	430	365	115	303	633	810	750

A1\*: installed face to face

A2\*: minimum required dimension for installation

<sup>(1)</sup> Duplex gate for 10 bar

