

# TK SERIES 32 KNIFE GATE VALVE



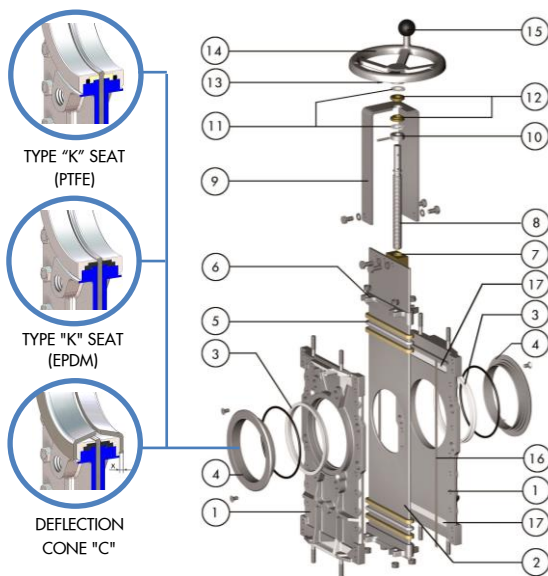
The SERIES 32 (TK) model knife gate valve is a bi-directional wafer type through-conduit high performance valve designed for media with high consistency. The double seat design assures a non-clogging shut off with suspended solids in both flow directions. The valve is used in a wide range of demanding applications in industries such as Pulp & Paper, Wastewater Treatment Plants, Chemical Plants, Power Plants, etc.

## Product description:

- Bi-directional wafer type through-conduit high performance knife gate valve
- Size range of DN 2"-36" (larger sizes upon request). See Dimension Charts for pressure rating
- Non-rising stem configuration
- Standard flange connection: EN 1092 PN10 and ASME B16.5 (class 150)  
Others available upon request
- Manual (handwheel and bevel gear), pneumatic (single and double-acting), electric and hydraulic actuation options available
- For EU Directives and other Certificates, please see the document:  
Directives and Certificates Compliance - Knife Gate Valves - Catalogues and Datasheets

## Features:

- Wafer type cast two-part bolted body. Glass filled PTFE sliders included for a smoother gate traveling
- Full port design for greater flow capacity and minimal pressure drop
- Stainless steel o-port design through-going gate, polished both sides to avoid jamming and seat damage
- Cast stainless steel seat ring, easily replaceable, that mechanically locks the seat. Standard PTFE + NBR O-ring, also available in other materials. EPDM seat and deflection cones available
- Dual packing with easy access and adjustable packing glands. Long life multiple graphite imp. PTFE & aramid yarn combination with elastomeric core and EPDM o-ring. Wide range of materials available
- RAL-5015 blue epoxy-coating on all cast iron/carbon steel components
- Automated valves provided with gate guards in accordance with EU Safety Standards. Only in EU
- Other options: bonnets, diamond-ports, flush ports, special materials, fabricated valves, etc.
- Actuation accessories: limit & proximity switches, mechanical stops, positioners, solenoid valves, manual overrides, locking devices, fail safe systems, stem extensions and floor stands



## STANDARD PARTS LIST

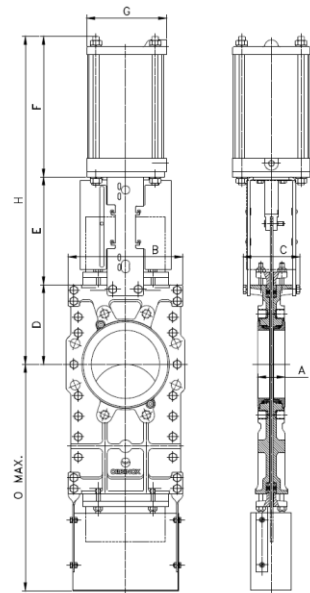
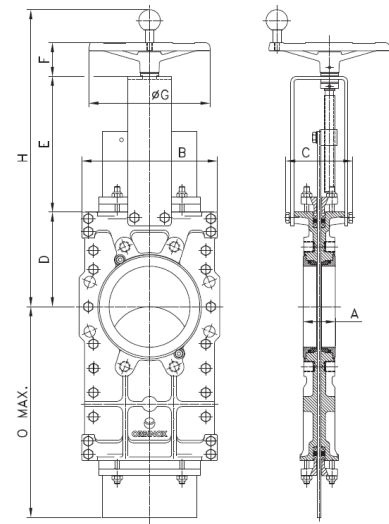
Part	Material
1 Body	CF8M (1.4408)
2 Gate	AISI 316 (1.4401)
3 Seat	PTFE + O-ring
4 "K" Ring	CF8M (1.4408)
5 Packing	Dynapack + EPDM O-ring
6 Gland Follower	CF8M (1.4408)
7 Stem Nut	Brass
8 Stem	Stainless Steel
9 Yoke	AISI 304 (1.4301)
10 Axial Fixing Bush	AISI 304 (1.4301)
11 Friction washer	PET + solid lubricant
12 Bushing	Bronze
13 Spring Pin	AISI 420 (1.4021) (ISO 8752)
14 Handwheel	Ø≤12,20": Alum. (AlSi12) / Ø≥16,14" GJS400 (GGG40)
15 Knob	Black bakelite
16 Gasket	DN 3"-8": Graphite / DN 10"-36": NBR
17 Sliders	Glass filled PTFE

# TK SERIES 32 KNIFE GATE VALVE



## DIMENSIONS Handwheel Non Rising Stem

DN (")	Pressures	A	B	C	D	E	F	ØG	H	Ø max.	Weight (lbs.)
2"	150 psi	1,61	5,98	5	4,33	5,67	2,48	8,86	12,48	9,13	26
2,5"	150 psi	1,61	6,57	5	4,53	6,34	2,48	8,86	13,35	10,04	30
3"	150 psi	2	7,56	5	4,88	6,97	2,48	8,86	16,73	12,28	37
4"	150 psi	2	8,35	5	5,52	7,95	2,48	8,86	18,35	14,44	48
5"	150 psi	2,20	8,90	5	6	8,89	2,48	8,86	20	17,00	68
6"	150 psi	2,36	9,88	5	6,89	9,92	2,48	8,86	21,69	19,56	81
8"	150 psi	2,36	11,97	5,59	8,07	12,48	2,87	12,20	25,83	25,07	165
10"	150 psi	2,72	14,41	5,59	9,64	14,64	2,87	12,20	29,76	30,59	220
12"	90 psi	3,07	16,73	5,59	11,02	16,61	2,87	12,20	33,70	35,71	375
14"	90 psi	3,07	18,90	7,75	13	20,27	3,86	16,14	39,13	41,22	440
16"	90 psi	3,50	21,37	7,75	13,78	22	3,86	16,14	42,04	46,10	639
18"	90 psi	3,50	25,82	7,91	16,53	24,05	3,86	21,65	46,85	51,22	892
20"	90 psi	4,49	29,13	12,60	19,09	26,42	3,86	21,65	51,77	61,93	1653
24"	90 psi	4,80	32,91	12,60	20,86	30,35	3,86	21,65	57,48	72,04	1741



## DIMENSIONS Pneumatic Actuator (D/A)

DN (")	Pressures	A	B	C	D	Ø max.	E	F	G	H	Weight (lbs.)	Standard Cyl.	Conect.
2"	150 psi	1,61	5,98	4	4,33	9,13	5,07	7	4,53	16,41	30	C4"-2.44"	1/4" G
2,5"	150 psi	1,61	6,57	4	4,53	10,04	5,74	7,60	4,53	17,87	35	C4"-3.03"	1/4" G
3"	150 psi	2	7,56	5	4,88	12,28	6,38	8,31	4,53	19,56	41	C4"-3.74"	1/4" G
4"	150 psi	2	8,35	5	5,52	14,44	7,36	9,09	4,53	21,96	55	C4"-4.52"	1/4" G
5"	150 psi	2,20	8,90	5	6	17,00	8,30	10,67	5,51	24,88	79	C5"-5.62"	1/4" G
6"	150 psi	2,36	9,88	5	6,89	19,56	9,33	12,20	5,51	28,42	94	C6.30"-	1/4" G
8"	150 psi	2,36	11,97	5,59	8,07	25,07	12,16	14,09	6,89	34,33	189	C6.30"-	1/4" G
10"	150 psi	2,72	14,41	7,28	9,64	30,59	14,33	16,85	8,66	40,82	255	C8"-10.62"	3/8" G
12"	90 psi*	3,07	16,73	7,28	11,02	35,71	16,30	18,82	8,66	54,68	414	C8"-12.60"	3/8" G
14"	90 psi*	3,07	18,90	10,63	13	41,22	20,47	21,61	10,90	60,07	513	C8"-14.76"	3/8" G
16"	90 psi*	3,50	21,37	10,63	13,78	46,10	22,72	23,58	10,90	62,28	714	C10"-16.73"	3/8" G
18"	90 psi*	3,50	25,82	10,63	16,53	51,22	23,94	26,77	15,03	67,24	1003	C10"-18.70"	3/8" G
20"	90 psi*	4,49	29,13	12,60	19,09	61,93	26,41	27,24	15,03	72,75	1763	C12"-20.67"	1/2" G
24"	90 psi*	4,80	32,91	12,60	20,86	72,04	29,92	34,64	17,48	85,43	2116	C14"-24.60"	3/4" G
28"	90 psi*	5,04	37,01	12,60	26	78,94	33,66	38,58	17,48	97,83	4409	C14"-28.74"	3/4" G
32"	90 psi*	5,04	40,55	12,60	24,80	92,12	42,71	42,91	20,27	110,43	5732	C16"-32.67"	3/4" G
36"	90 psi*	5,04	46,06	12,60	30,51	102,16	51,10	47,12	20,27	128,74	7054	C16"-36.61"	3/4" G

Actuator designed with 90 psi air supply and for standard catalogue differential pressure

## DIMENSIONS Electric Non Rising Stem

DN (")	Pressures	A	B	C	D	E	F	ØG	H	Ø max.	I	J	L	M	stem Ø x pitch	Torque (ft.LBS)
2"	150 psi	1,61	5,98	5	4,33	5,04	5,62	6,29	23,30	9,13	10,43	1,92	2,83	9,37	0.79 x 0.12	7.4
2,5"	150 psi	1,61	6,57	5	4,52	5,74	5,62	6,29	24,17	10,04	10,43	1,92	2,83	9,37	0.79 x 0.12	7.4
3"	150 psi	2	7,56	5	4,88	6,37	5,62	6,29	25,15	12,28	10,43	1,92	2,83	9,37	0.79 x 0.12	7.4
4"	150 psi	2	8,35	5	5,51	7,36	5,62	6,29	26,77	14,44	10,43	1,92	2,83	9,37	0.79 x 0.12	11.1
5"	150 psi	2,20	8,90	5	5,90	8,30	5,62	6,29	28,11	17,00	10,43	1,92	2,83	9,37	0.79 x 0.12	14.7
6"	150 psi	2,36	9,88	5	6,88	9,33	5,62	6,29	30,11	19,56	10,43	1,92	2,83	9,37	0.98 x 0.16	25.81
8"	150 psi	2,36	11,97	5,59	8,07	12,16	5,62	6,29	34,13	25,07	10,43	1,92	2,83	9,37	0.98 x 0.16	29.5
10"	150 psi	2,72	14,41	7,28	9,64	14,33	6,10	8	38,54	30,59	11,14	10	3,22	9,76	0.98 x 0.16	44.25
12"	90 psi*	3,07	16,73	7,28	11,02	16,29	6,10	8	41,69	35,71	11,14	10	3,22	9,76	1.38 x 0.24	59
14"	90 psi*	3,07	18,90	10,62	12,59	20,47	6,10	8	46,45	41,22	11,14	10	5,03	9,76	1.38 x 0.24	70.06
16"	90 psi*	3,50	21,37	10,62	13,77	22,71	6,22	12,40	50,11	46,10	15,31	13,22	5,11	11,25	1.38 x 0.24	95.88
18"	90 psi*	3,50	25,82	10,62	16,53	23,93	6,02	12,40	55,15	51,22	15,31	13,22	5,11	11,25	1.57 x 0.27	118.00
20"	90 psi*	4,49	29,13	12,56	19,09	26,41	6,22	12,40	65,19	61,93	15,31	13,22	5,11	11,25	1.57 x 0.27	140.13
24"	90 psi*	4,80	32,91	12,56	20,86	29,92	6,22	12,40	64,60	72,04	15,31	13,22	5,11	11,25	1.57 x 0.27	162.26
28"	90 psi*	5,04	37,01	12,56	25,59	33,66	6,88	20	74,21	78,94	15,31	13,38	7,48	11,25	1.97 x 0.31	236.01
32"	90 psi*	5,04	40,55	12,56	24,80	37,59	6,88	20	82,87	92,12	15,31	13,38	7,48	11,25	1.97 x 0.31	295.02
36"	90 psi*	5,04	46,06	12,56	30,51	41,53	8,26	20	93,50	102,16	20,07	13,97	7,48	12,99	2.36 x 0.35	405.65

\* 120 psi with duplex gate

