

THREE LEVER VALVE

The MP three-lever valve is an on/off valve designed for gas media applications in different industries such as:

- Air separation plants
- Steel Industry
- Petrochemical Industry
- Power Industry

Sizes:

DN 250 to DN 2400

Working Pressures:

DN250 – DN 2400 PN 10

Working Temperatures:

Up to 300°C

Dust Content:

Up to 1000 gr/Nm³
(Other working conditions upon request)

Standard Flange Connections:

EN 1092 PN10/16 and ANSI 150/300 Serie

Face to face:

EN 558 series 14

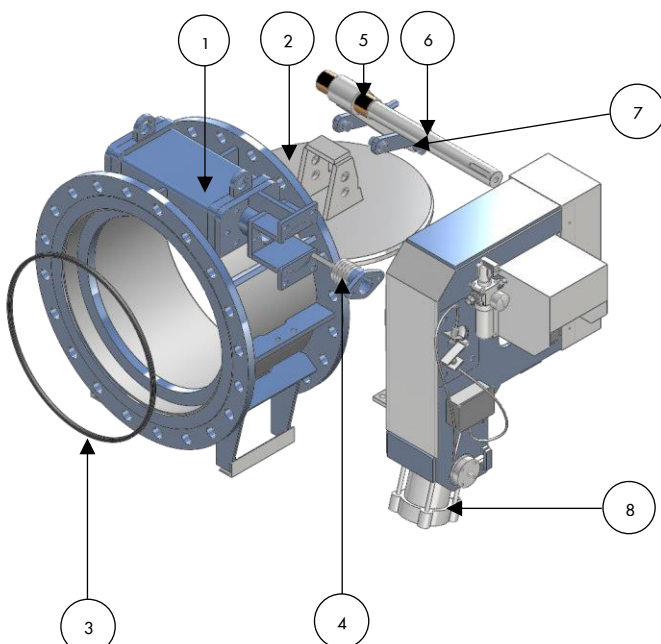
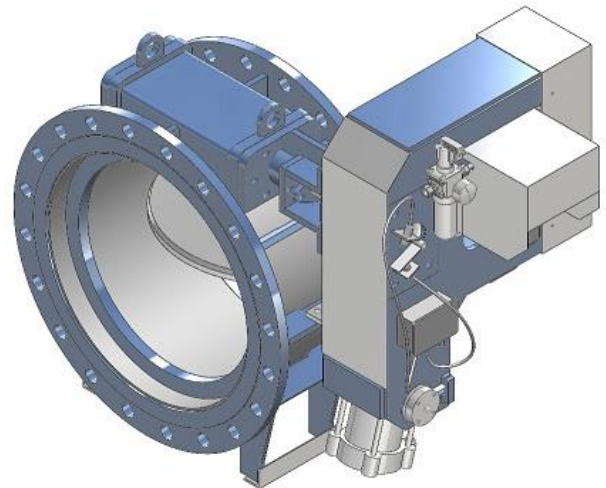
Directives:

2006/42/EC Machinery Directive
2014/68/EU Pressure Equipment Directive, category III, mod. H

Design and testing standards:

EN 13445 Unfired pressure vessels.
EN 12266 Industrial valves. Testing of metallic valves.

Other design codes and/or certifications available upon request (ASME VIII, TSG D7002,...)



STANDARD PART LIST

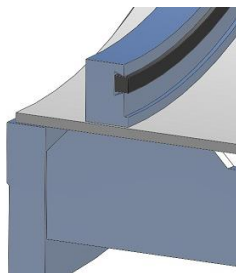
Parts:

1. Body	P265GH
2. Disc	P265GH
3. Seal	Soft (Graphited) / Metal
4. Packing	Graphite rings
5. Bushings	Self lubricated
6. Shaft	AISI 420
7. Levers	P265GH
8. Actuator	Pneumatic

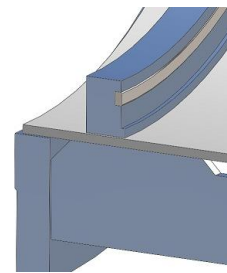
DESIGN FEATURES

- The three lever valve is specially designed for high working pressures and high gas flows application. It is an on/off valve and the pneumatic actuator is designed to open the valve at low differential pressures (100-250 mbar).
- Fabricated construction
- Unidirectional valve
- Tightness according to:

	Metal seat	Soft seat
ANSI FCI-70	IV	V
EN 12266	40% Rate F	Rate D

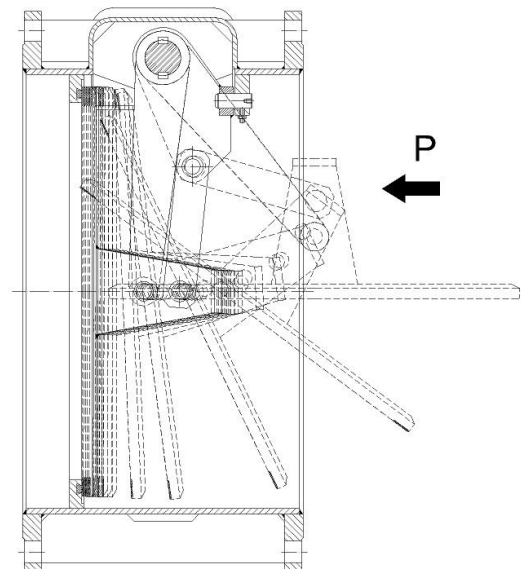


Soft seat

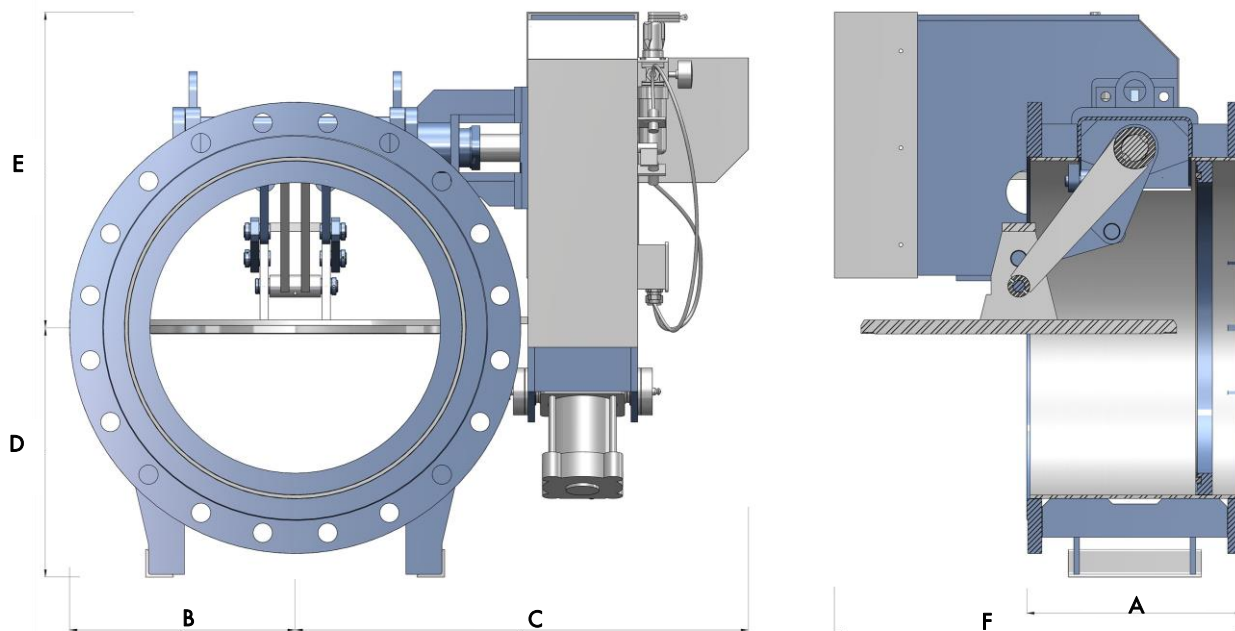


Metal to metal seat

- Stem packing is made of die formed graphite/PTFE rings for low emissions
- Three lever linkage to design to get a frontal disc to seat contact movement
- Front face contact reduces seat wearing and prevents disc jamming even in high temperature applications
- Consistent torque over time and precise differential pressure control to open.
- Valve can act as extra safety to process avoiding pressure shocks due to sudden openings protecting other elements (e.g. bed absorbers for air separation plants).
- Pneumatic ¼ turn or linear actuators available
- Custom pneumatic solutions as per customer requirements



DIMENSIONS



DN	A	B	C	D	E	F
250	250	200	560	425	385	550
300	270	225	560	425	385	575
350	290	255	560	425	400	610
400	310	290	560	425	435	625
450	330	310	600	425	485	760
500	350	340	680	490	550	760
600	390	390	800	525	590	760
700	730	450	890	600	690	915
750	450	460	925	600	715	925
800	470	475	960	600	750	950
900	510	560	1010	600	850	1065
1000	550	615	1150	680	950	1200
1200	630	730	1300	780	1120	1350
1400	710	815	1550	900	1125	1405
1600	790	915	1700	975	1400	1450
1800	870	1025	1950	1100	1475	1650
2000	950	1200	2150	1180	1570	1860
2200	1030	1250	2400	2300	1750	1980
2400	1110	1350	2600	2500	1900	2150